

# CONFIDENCE TODAY INSPIRES TOMORROW

CELEBRATING A  
DECADE OF ACHIEVEMENT

RLB

Rider  
Levett  
Bucknall



Celebrating Ten Years **6**

Services **14**

Ten Year Round Table **16**

A Decade of Achievement  
Across Key Sectors **22**



Cover photo: Channel 9 Melbourne, Australia

With a network that covers the globe and a heritage spanning over two centuries, Rider Levett Bucknall is a leading independent organisation in advisory services, cost management and quantity surveying, and project management.







# Our achievements are renowned

from the early days of pioneering quantity surveying, to landmark projects such as the Sydney Opera House, HSBC Headquarters Building in Hong Kong, the 2012 London Olympic Games and CityCenter in Las Vegas.





We continue this successful legacy with our dedication

to the value, quality and sustainability of the built environment. Our innovative thinking, global reach, and flawless execution push the boundaries. Taking ambitious projects from an idea to reality.



CELEBRATING  
TEN YEARS

10Y



# CHAIRMAN'S MESSAGE



This year marks the tenth anniversary since Rider Levett Bucknall (RLB) formed a global practice in June 2007. It is my great honour and pleasure to congratulate all who have contributed to ten successful years of operations as RLB.

These commendations are extended to the many customers and partners who have continued to work with us on projects, adding to an extensive list of renowned achievements across Africa, Asia, Europe, the Middle East, North America and Oceania.

Since the formation of our global practice, RLB has enjoyed close working relationships with many in the local and international property and construction industry. The nature of our industry means that our futures are interdependent, as property and construction touches on all industries which operate worldwide. Accomplishments in each of RLB's 120 offices reflect success for us all.

Today, I proudly chair a dedicated and professional team of esteemed Global Board members comprising Julian Anderson, Kenneth Kwan, Stephen Lai, Russell Lloyd, Philip Lo, Stephen Mee, Andrew Reynolds and Peter Tulla.

RLB's focus on achieving another decade of success is evident through our involvement in many of the world's significant developments. While all projects are unique, and our participation may vary depending on our customers' needs, our commitment to performance and relationships is constant.

Congratulations on ten years of working together, and we look forward to another decade of contributing to the future.

A handwritten signature in black ink that reads "Ann Bentley". The signature is fluid and cursive.

**ANN BENTLEY**  
RLB GLOBAL CHAIRMAN

THREE COMPANIES  
BECOME ONE

3 → 1

**Rider Hunt**

**Levett & Bailey**  
Chartered Surveyors



bucknell austin

Ten years ago we set out to provide a platform to enable 1,750 people across 65 offices to work together.

The Rider Levett Bucknall (RLB) global practice was launched in June 2007, in response to growing globalisation and increased customer requirements.

A key objective was to combine our experience and expertise to help our customers to achieve optimum value from their property and assets.

The RLB brand combined the strengths of three companies – Rider Hunt, Levett & Bailey and Bucknall Austin, committed to the quality delivery of three core services – advisory, cost management and quantity surveying, and project management.

We merged our names to reflect the new global practice, but we did not change our people, our principles or our philosophy.







RLB Global Board October 2016 Adelaide, Australia

## A LONG HISTORY, EXTENSIVE GROWTH

Rider Levett Bucknall's long history can be traced back to a small firm of quantity surveyors, established in 1785 by Henry Cooper, the son of a master carpenter.

Based in Reading in England, Henry Cooper & Sons opened its London office in 1799, and worked on a number of engineering projects throughout the 19th Century, under the direction of the famous Victorian civil engineer, Isambard Kingdom Brunel.

Following two centuries of progression and growth, three major companies with common strengths and ambitions - Rider Hunt, Levett & Bailey and Bucknall Austin - pooled resources and expertise to form the Rider Levett Bucknall global practice in June 2007.

In the decade to follow we expanded our global portfolio into Africa with seven offices, established new business in Malaysia and Myanmar, opened new offices in Canada, China, the United Kingdom, the United States of America and the Philippines, and further consolidated new business across the Middle East and Caribbean. We continued to nurture strong long term partnerships locally and abroad and in doing so, we enhanced value for our customers.

Today, the same perspective and independent advice so valued by our founders has seen us become a global leader in the market. Over 3,600 staff in more than 120 offices across Africa, Asia, Europe, the Middle East, North America and Oceania help customers gain a greater understanding of the breadth of the company's experience and capability across a broad range of sectors.

Our customers benefit from our extensive knowledge of construction innovations and trends obtained through our global network. These insights add value to all aspects of our projects and management processes, and ensure customers will always be placed to optimise project outcomes.

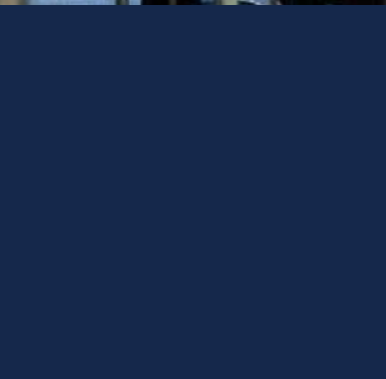
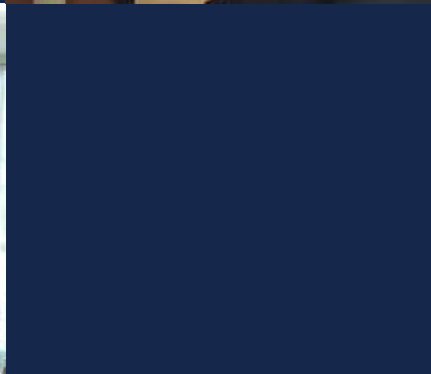
Every day we contribute to cultural, economic, industrial, social and technological growth, through the consistent and reliable delivery of our projects to create a better tomorrow.

3,6000

STAFF

>120

OFFICES







# SERVICES



ADVISORY



COST MANAGEMENT AND  
QUANTITY SURVEYING



PROJECT  
MANAGEMENT



Forecasting a building's life cycle over 10, 25, 50, or even 100 years is a growing part of RLB's service offering, through cutting-edge tools such as the RELifing® of assets.

This holistic and wide-reaching approach covers a broad range of strategic issues, not just initial costs, including performance, maintenance, obsolescence and sustainability.

Our advisory services have developed in response to customer needs for a more sophisticated approach to the questions of conception, delivery, operation, and disposal of built assets throughout the property life cycle, in other words total asset management. Today, RLB's expertise and experience across the property cycle makes a real difference to a customer's corporate performance.

Cost management is at the core of RLB's services.

The service encompasses cost estimating, cost management, the production of tender and contract documents, the financial administration of building contracts and dispute resolution.

Cost management focuses on a customer's individual business needs to facilitate informed decisions regarding their property assets and provides strategic advice at the various stages of the construction project cycle to ultimately increase asset value.

RLB maintains and uses a large and comprehensive library of current and historical cost data and unit rates to produce detailed comprehensive cost estimates for all building types.

Beyond cost data and unit rates, cost management team members provide advice to building owners about business drivers, specific regional needs and sustainability practices.

At RLB, project management is a multi-faceted core service.

Customers commission RLB to: develop, rollout and manage programs; lead project teams; and to staff customer teams.

Project managers combine cost consultancy knowledge, project management ability and communication skills to run construction jobs from briefing to completion. They understand the balance needed to meet budget and milestones within timeframes without compromising quality.

RLB controls projects from the outset, setting out a control framework for the entire construction process. Using advanced computer systems and clear reporting procedures, projects are delivered to precise requirements.

The provision and structure of this service varies across RLB's operating regions, often depending on the individual customer's needs and building requirements. But the quality of the service remains the same.



# TEN YEAR ROUND TABLE

The creation of RLB in 2007 brought a new world of opportunities as well as significant challenges. We recently met with the Global Board and regional leaders to ask them to share their thoughts on the past decade. In a candid, wide-ranging conversation they offered their insights on the 2007 merger, how RLB is positioned, the value we bring to customers, and their personal career pathways.



**ANN BENTLEY**  
CHAIRMAN, GLOBAL BOARD;  
DIRECTOR, UNITED KINGDOM



**PHILIP LO**  
GLOBAL BOARD MEMBER;  
CHAIRMAN, HONG KONG & CHINA



**KENNETH KWAN**  
GLOBAL BOARD MEMBER;  
MANAGING DIRECTOR,  
HONG KONG & CHINA



**JULIAN ANDERSON**  
GLOBAL BOARD MEMBER;  
PRESIDENT, NORTH AMERICA



**RUSSELL LLOYD**  
GLOBAL BOARD MEMBER;  
PARTNER, UNITED KINGDOM



**STEPHEN LAI**  
GLOBAL BOARD MEMBER;  
MANAGING DIRECTOR,  
HONG KONG & CHINA



**PETER TULLA**  
GLOBAL BOARD MEMBER;  
DIRECTOR, AUSTRALIA



**SAM GRAHAM**  
DIRECTOR, MIDDLE EAST



**NICOLAS SHEARD**  
CHIEF EXECUTIVE OFFICER,  
RLB PENTAD, SOUTH AFRICA



**STEPHEN MEE**  
GLOBAL BOARD MEMBER;  
DIRECTOR, AUSTRALIA



**ANDREW REYNOLDS**  
GLOBAL BOARD MEMBER;  
DIRECTOR, UNITED KINGDOM



## WHAT WAS THE OBJECTIVE OF FORMING A GLOBAL PRACTICE?

**PL** > There were many. Knowledge sharing, helping existing customers going outside local markets – and for us to reach out to new markets.

**SL** > Yes, I think it can achieve a synergy effect – where each party benefits more from the alliance than from individual efforts. It's simply pooling resources and providing opportunities for all of us to reach new markets and a new customer base.

**PL** > There's also the benefit of increased brand awareness.

**SL** > Definitely.

## WHAT IS THE ROLE OF THE GLOBAL BOARD?

**SM** > It's basically to represent the various regions in one forum. This way, we can make collective decisions – on building and expanding the brand, as well as keeping the RLB brand as a top-ranked brand globally.

**PT** > Stephen is right, it's like a framework of governance – which includes legal and risk, strategic direction and planning. Also, I'd say expansion into new territories and brand management.

**SG** > The board provides the overall strategic direction for the business, supports new markets and is responsible for focusing the global vision of the practice. Although we are well established within certain Middle East markets, the greater region is still an emerging one for RLB with significant potential for future growth and success. As a regional director, I look to the board for guidance, support and assistance in coordinating the efforts of the global practice to take advantage of the opportunities on offer.

## WHAT IS THE KEY STRENGTH OF THE GLOBAL PRACTICE?

**JA** > At its heart, I think it's linking people from across the world. But not just to support customers anywhere, I know for me, it's that personal experience – sharing ideas, seeing the different ways that construction is done. And of course, being exposed to different cultures. It really gives our team a broader view to find more creative solutions.

**AR** > I agree, I'd also say it's our scale, definitely – coupled with our independence. It's a powerful combination – it means we can offer a truly personal opinion. Providing this for our local markets is key, always adapting it to be relevant to our customers.

**NS** > It's also our experience in every sector without a doubt, and our expertise in specialised types of projects, we have the support, the global reach, it's all of that.

**PL** > For me – it's that collection of professionals with similar goals, with the same vision.

'The key strength of our global practice? Our scale coupled with our independence. It's a powerful combination.'

**ANDREW REYNOLDS**

‘None of our services have stood still in the last 10 years – digital technology, off-site manufacturing, smart buildings and a greater awareness of whole-life and sustainability – we’re working in a very different environment now.’

**ANN BENTLEY**

### **WHAT DRIVES YOU AS A GLOBAL BOARD MEMBER AND WHAT SATISFACTION DO YOU GET OUT OF IT?**

**AR** > I take massive pride in representing our business and people on the Global Board. It’s amazing to see our people coming together to influence and contribute to the wider built environment.

**PT** > For me as well, it’s an honour to serve on the Global Board, as well as working with our great team in the Adelaide office.

**AR** > It’s pretty clear that our ongoing success is our drive for global collaboration. That positive, open culture creates almost like a framework for success for any venture and initiative. Personally, I really enjoy the opportunity to work with like-minded colleagues to take the business into the future.

**SM** > Yes, I find our real challenge is to unite our people – and for their skills to be shared from all parts of the world. One great example, was when we facilitated a Global BIM Workshop in Hong Kong with 26 of our people from across the world. For me personally, it was very satisfying – it really highlighted the skills we had within the group.

**PT** > As board members, we navigate through all the complexities of partnerships, opportunities, knowledge sharing etc. I get great satisfaction in co-creating these opportunities and solutions with my colleagues – it’s extremely rewarding.

**AR** > I really love delving into the many parts of the global practice and meeting all sorts of different people as well. It’s about listening and learning all the time really, and seeing how we can improve.

### **WHAT IS YOUR AMBITION NOW?**

**JA** > Look, it’s the same as it was the day I became a shareholder – to contribute to the growth and evolution of the business – and to leave RLB in an even better position than when I joined.

**NS** > I think we can all agree with Julian on that!

### **WHAT DOES IT TAKE TO SUCCEED IN BUSINESS IN YOUR REGION? AND HOW DOES RLB DEMONSTRATE THESE CHARACTERISTICS?**

**SG** > The fundamental principles that underpin RLB globally – creating value for our customers and nurturing partnerships – are all highly valued in the region. Business in the Middle East requires a strong focus on relationship building and earning the trust of our customers. It’s also important to understand that while RLB brings a long history of experience and expertise to the region, there is also a lot that we can learn from the local market to improve our own service offering and ensure that we adapt to suit the requirements of the market. RLB projects in the region are often large, complex and in many cases have national significance. There are many stakeholders with which RLB are required to engage and this requires patience and flexibility. Customers often wish to deal directly with business owners, and the presence of regional directors – who are also owners of the business – strengthens our ability to provide the service that is expected in the market.

### **HOW DOES RLB ADD VALUE TO ITS TRADITIONAL SERVICE OFFERING?**

**AB** > By remaining relevant, and really understanding our customers’ drivers. You can’t just offer a service. What our customers are paying for is for the effective delivery of their objectives.

I think everyone will agree – none of our services have stood still in the last 10 years – digital technology, off-site manufacturing, smart buildings and a greater awareness of whole-life and sustainability – we’re working in a very different environment now.

Our technical services have kept pace, but ultimately it’s the advice – gained from a wide industry perspective, and backed up with flawless information – that’s what really adds value.



## HOW DO GLOBAL MARKETS IMPACT RLB?

**AB** > At every level I would say. Global customers expect a global service provision, which means that we have to be sure that we're providing a consistent service across the whole of RLB. Global customers don't see territorial boundaries, so we have to collaborate across the business. Global competitors are nimble – they'll happily follow customers from one geographical area to another, so we constantly have to be aware of what's going on – globally and locally.

**KK** > Globalisation keeps increasing investments across borders. It's true – investors and developers are expecting the same level of services in their home country – with local experience and expertise in their overseas investments and developments.

To cope with this demand, we've been doing our best to establish offices in as many major cities around the world as possible – to connect our people – sharing knowledge and experience. And it's made us stronger.

## WHICH PROJECT HAS MADE THE BIGGEST IMPACT ON YOU AND WHY?

**AR** > The London 2012 Olympics was very special, and so poignant for me. Just seeing that true collaboration.

**RL** > I agree with Andy, definitely the London 2012 Olympic and Paralympic Games – it was one of the first examples where the global network came together to win a major, high profile bid. We had Sydney experts helping us for three years – they mentored our local team and developed really strong relationships with the customer.

**AR** > What an achievement. But you know, it's the legacy of the games that's resonated – that's real success to me. It's the £3 billion of inward investment into the community – that's the real, lasting benefit. It's an example of what our industry does best to be honest – seizing an opportunity to build a significant future for a region.

**RL** > And also it was the springboard for RLB to become the number one cost consultant for major global sports events.

'The London 2012 Olympic and Paralympic Games...it was one of the first examples where the global network came together to win a major, high profile bid.'

**RUSSELL LLOYD**

## IS THERE A PROJECT YOU'VE HAD A CONTINUAL ROLE ON OVER TIME? DESCRIBE IT AND THE ROLE OF RLB'S INVOLVEMENT.

**KK** > Every project has its challenges, and it takes the whole team to make it successful. But one particularly complex project was a mega scale mixed-use project, developed in several phases.

We were involved from the very beginning – starting from land reclamation. The challenges of such a mega investment are huge – to the developer and everyone else. Several phases of a total of more than 1,000,000 square metres have been completed successfully.

We worked alongside the developer for years – through market changes, government leadership changes, policy changes, personnel changes – but we kept our high quality service all the way through – working with different teams of design consultants and contractors.

## WHAT DIFFERENTIATES RLB FROM THE COMPETITION?

**NS** > The big thing I think is the fact that we're a global practice – most regional businesses are independent.

**AR** > Well, I could probably identify three main areas. Firstly, our focus and dedication to customers (what we do), the skill and passion of our people (the way we do it) and our independence.

**RL** > Definitely our independence. Especially in this era of the global acquisition to create mega consultancies.

**AR** > I agree, the organisational structures of our industry are constantly changing – so being our customers' trusted, independent adviser really does set us apart.

**PT** > That's right, we've built a reputation as being a 'Trusted Advisor', and as a company with strong values – integrity and honesty, innovation and sustainability, and of course accountability. We're at the forefront of technology so we can meet customers' requirements, and also exceed their expectations.

**AR** > Also, we take time to understand our customers' objectives. By that I mean we consider the context of our advice within the project and customer environment. We always ask 'what does our advice mean?', it's about addressing the wider objectives while delivering the task at hand. Then there's the skill and passion of our people – it brings our advice to life. We want them to give personal opinions – not just flawless technical advice. This really shows how passionate we are in what we do.

**'We've built a reputation as being a 'Trusted Advisor', and as a company with strong values – integrity and honesty, innovation and sustainability, and of course accountability.'**

**PETER TULLA**

## HOW DOES RLB PROMOTE THOUGHT LEADERSHIP WITHIN THE INDUSTRY?

**KK** > Besides our quality service to customers, we get involved in external committees to share our insights and experience.

**SL** > And you can see this clearly, with many of my colleagues taking up positions in professional bodies and public services – the Hong Kong Institute of Surveyors, Royal Institution of Chartered Surveyors, Construction Industry Council, etc. Take me for example, I was the past President of the Hong Kong Institute of Surveyors and now I'm the Chairman of the Mainland Affairs Committee of the Hong Kong Institute of Surveyors among others.

**KK** > And from our findings in research and development, we present at conferences – always encouraging dialogue. Through this, and our huge database, we can adapt to the market and make realistic projections for the future.

**SL** > Also, our RLB Cost Report is one of the most influential construction cost reports in Hong Kong and China's construction industry.

## WHEN DID YOU START WORKING FOR RLB? TELL US ABOUT YOUR JOURNEY.

**AB** > I joined Bucknall Austin as a Senior Project Manager in 1989 – a heady time in the UK construction sector. Over the next 15 years or so I developed a specialism in large-scale social housing and urban renewal schemes. After doing my MBA, I had a relatively traditional path through the business – from team leader to Managing Partner of the Birmingham office. In 2000 the UK adopted a national service delivery model, and I became the UK head of our quantity surveying service – an interesting role for a civil engineering project manager!

By this time Bucknall Austin had been sold to a bigger company, and I eventually became the Managing Director of the professional services division. In 2003 a group of 21 senior staff bought this division, and Bucknall Austin was re-born. I was one of the founder directors and shareholders. In 2006 we were approached to become part of the RLB global practice. When David Bucknall retired in 2012, I was elected as Chairman of the UK business. I took up one of the UK positions on the Global Board and three years later became Global Chairman. Oh, and I also had a couple of children along the way!

‘Along the way, I’ve learnt so much, bringing imagination to life on so many projects, worked with fabulous customers and designers and, really – I’ve been lucky enough to be surrounded by the best people in the business.’

**JULIAN ANDERSON**

**JA** > Mine started in 1976, in Brisbane Australia as a Cadet Quantity Surveyor. I then got the opportunity to move to the new Sunshine Coast office (also in Queensland, Australia) and later became office leader. In 1991, I took up the leadership role of our new Hawaii business (with a view to using it as a base for RLB’s expansion to North America).

Along the way, I’ve learnt so much, bringing imagination to life on so many projects, worked with fabulous customers and designers and, really – I’ve been lucky enough to be surrounded by the best people in the business.

**AR** > After graduating from the University of Salford in Manchester, UK, I joined the business in 2001 as an Associate QS having decided on the choice of a career in property and construction. During my time at RLB, the business has offered a very wide array of opportunities to me, on projects and roles within the business, both in the UK and internationally. My early career within RLB was focused around delivering large projects and supporting Tesco in the UK and internationally, and as a result of this I opened a new office in Welwyn Garden City and grew this quickly into the UK’s national retail sector centre of excellence. I joined the UK Board of Directors in 2014 and from here I was given the opportunity to set up and managed the RLB Euro Alliance, a network of partners in 32 countries supporting our vision to offer truly global expertise in what we do. I was invited to join the Global Board in 2015 and very much value the opportunities to help shape and lead RLB forwards to 2020 and beyond.

**SL** > I joined in 1989. I became an Associate in the same year and a Partner in 1994. I set up the first few offices for RLB in China in 1994 and also set up the Korea and Oman Offices a few years later. In 2002, I became a Managing Director. So for the past 30 years, I’ve been involved in all aspects of quantity surveying and project management all across Asia, as well as the UK and Africa.

**PL** > I joined RLB in Hong Kong/China in 1981 – right after graduating from the University of Hong Kong with a first-class honours and a distinction degree. I became an Associate in 1985 and was promoted to a Director/Partner in 1988. I spent 3 years in the Sydney RLB office from 1996, and re-joined RLB in Hong Kong/China as a Director in 1999. I became Managing Director in 2002 and then the Chairman in 2010.

I was also RLB Global Board Chairman from 2013 to 2015.

**SM** > Well I joined RLB in Sydney in 1983 as a cadet, directly from school. My qualifications as a quantity surveyor came later – from the University of Technology, and a Masters from UNSW.

In the early 90s I worked on the ANA Hotel in Sydney’s CBD, before opening RLB’s Newcastle office – I stayed there for 5 years.

It was there that I cost managed the restoration of the earthquake damaged Christchurch Cathedral – using a unique technique of inserting and grouting stainless steel rods into the existing masonry fabric of the building.

Returning to the Sydney office, I became National Director. Recently I’ve worked on the unique Frank Gehry UTS Business School. I also joined the Marketing Committee and became its Chairman for 10 years – a role I really enjoyed. In 2013 I joined the Executive Committee and in 2014 the RLB Global Board.

I’ve had many mentors along the way, like former Sydney Directors – Damian Judge, John Oliver, Bob Richardson and Greg O’Neill who have been very generous in supporting me throughout my career.





# A DECADE OF ACHIEVEMENT ACROSS KEY SECTORS

‘Through the collaborative efforts of the global practice and the skills and passion of our people, RLB has enjoyed remarkable growth and achievements in the last 10 years. Whether it’s the Shanghai Tower, London 2012 Olympics or Sydney Opera House, RLB continues to build on our global knowledge and local expertise as a leader in our industry, helping to shape the places we live, work and play every day.’

**ANDREW REYNOLDS**  
GLOBAL BOARD DIRECTOR

Convention and Exhibition Centres	<b>24</b>
Education and Research	<b>28</b>
Energy	<b>36</b>
Healthcare	<b>38</b>
Hotels and Leisure	<b>42</b>
Infrastructure	<b>46</b>
Mixed Use	<b>50</b>
Offices	<b>56</b>
Public and Civic	<b>62</b>
Residential	<b>68</b>
Retail	<b>74</b>
Sport	<b>78</b>



## CONVENTION AND EXHIBITION CENTRES

Convention and exhibition centres are a significant sector for RLB.

The firm's role in these projects has included responsibility as owner's representatives, project managers, cost consultants, schedulers and building life analysts. RLB has effectively served as an extension of the owner's staff for these projects, providing expert project management and cost advice to the entities responsible for the planning, design, construction and long-term operation of these prominent civic buildings.

---

### Expo 2020

DUBAI, UNITED ARAB EMIRATES



CLIENT	CH2M HILL AND MACE PM/CM JV
ARCHITECT	MULTIPLE
SERVICES	COST MANAGEMENT & QUANTITY SURVEYING
COMPLETION	2020







---

## Darwin Waterfront and Convention Centre

DARWIN, AUSTRALIA

**CLIENT** NORTHERN TERRITORY GOVERNMENT, ABN AMRO

**ARCHITECT** HASSELL

**SERVICES** COST MANAGEMENT & QUANTITY SURVEYING

**COMPLETION** 2008



---

## Hong Kong Convention and Exhibition Centre Atrium Link Extension

HONG KONG, CHINA

**CLIENT** HONG KONG TRADE DEVELOPMENT COUNCIL

**SERVICES** COST MANAGEMENT & QUANTITY SURVEYING

**COMPLETION** 2009



# CONVENTION AND EXHIBITION CENTRES

---

## Marina Bay Sands Integrated Resort, including MICE Facilities & Convention Centre

SINGAPORE, SINGAPORE

**CLIENT** MARINA BAY SANDS PTE LTD  
**ARCHITECT** SAFDIE ARCHITECTS  
**SERVICES** COST MANAGEMENT & QUANTITY SURVEYING  
**COMPLETION** 2010



---

## Moreleta Park Dutch Reformed Church Auditorium

PRETORIA, SOUTH AFRICA

**CLIENT** NG MORELETA PARK  
**ARCHITECT** E-MARC ARCHITECTS  
**SERVICES** COST MANAGEMENT & QUANTITY SURVEYING  
**COMPLETION** 2009

‘Charl is a great leader and his team willingly follow him. They are great planners.’

PIETER BREYTENBACH  
MORELETA PARK, SOUTH AFRICA





---

## Phoenix Convention Center

PHOENIX, NORTH AMERICA

**CLIENT/  
ARCHITECT** HOK VENUE AND  
LEO A DALY  
**SERVICES** COST MANAGEMENT &  
QUANTITY SURVEYING  
**COMPLETION** 2008

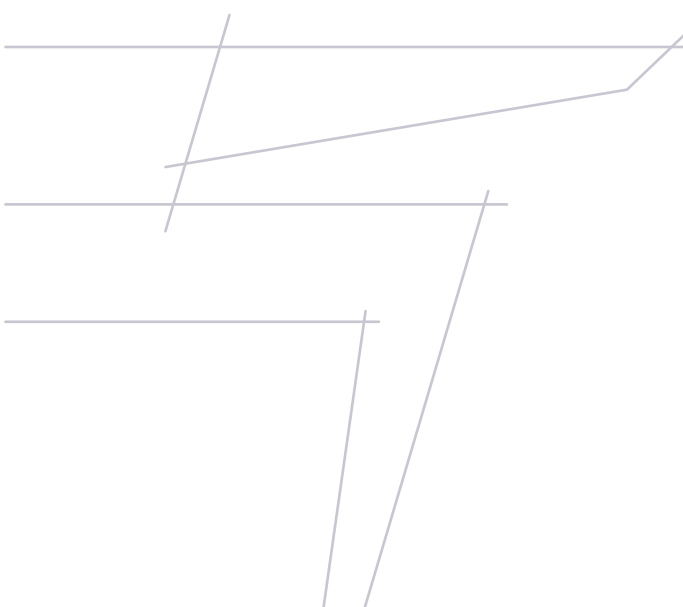


---

## Sydney International Convention Exhibition and Entertainment Precinct

SYDNEY, AUSTRALIA

**CLIENT** CAPELLA CAPITAL  
**ARCHITECT** HASSELL / POPULOUS  
**SERVICES** COST MANAGEMENT &  
QUANTITY SURVEYING  
**COMPLETION** 2016





## EDUCATION AND RESEARCH

RLB has provided construction consultancy services to many of the world's most prominent research and educational institutions.

The firm offers property expertise across a range of facility types on primary, secondary, college, and university campuses.

---

### Dr Chau Chak Building

SYDNEY, AUSTRALIA



<b>CLIENT</b>	UNIVERSITY OF TECHNOLOGY
<b>ARCHITECT</b>	FRANK GEHRY
<b>SERVICES</b>	COST MANAGEMENT & QUANTITY SURVEYING
<b>COMPLETION</b>	2014



---

## Flinders University Student Hub and Plaza

ADELAIDE, AUSTRALIA

**CLIENT** FLINDERS UNIVERSITY  
**ARCHITECT** WOODS BAGOT  
**SERVICES** COST MANAGEMENT &  
QUANTITY SURVEYING  
**COMPLETION** 2016



---

## Hong Kong Science Park Phase 3 Development

HONG KONG, CHINA

**CLIENT** HONG KONG SCIENCE &  
TECHNOLOGY  
PARKS CORPORATION  
**ARCHITECT** SIMON KWAN &  
ASSOCIATES LIMITED  
**SERVICES** COST MANAGEMENT &  
QUANTITY SURVEYING  
**COMPLETION** 2016



# EDUCATION AND RESEARCH

---

## Khalifa University Extension

ABU DHABI, UNITED ARAB EMIRATES

**CLIENT** KHALIFA UNIVERSITY ARCHITECTS  
PLANNERS AND ENGINEERS

**ARCHITECT** RSP ARCHITECTS PLANNERS  
AND ENGINEERS

**SERVICES** COST MANAGEMENT &  
QUANTITY SURVEYING

**COMPLETION** 2016



---

## LASALLE College of the Arts

SINGAPORE, SINGAPORE

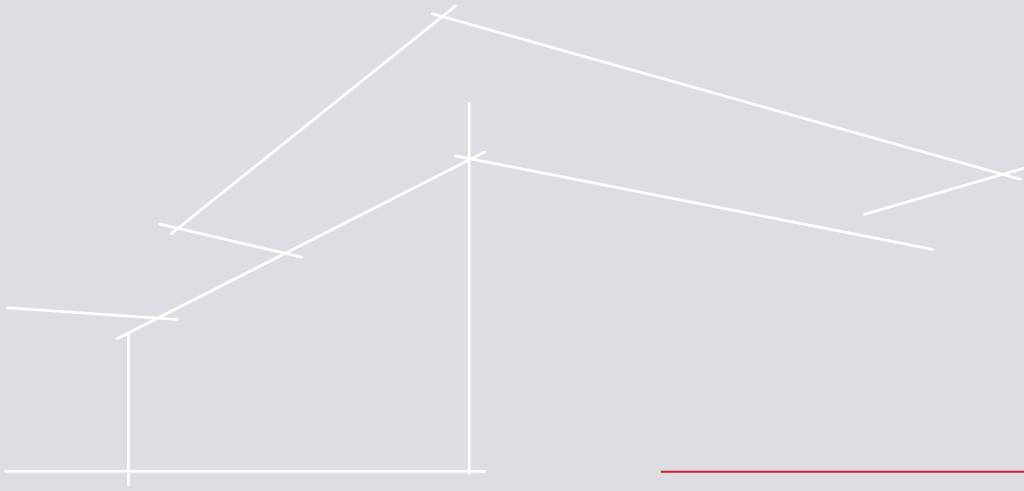
**CLIENT** LASALLE COLLEGE OF THE ARTS

**ARCHITECT** RSP ARCHITECTS

**SERVICES** COST MANAGEMENT &  
QUANTITY SURVEYING, ADVISORY

**COMPLETION** 2008





---

## National Automotive Innovation Centre



COVENTRY, UNITED KINGDOM

<b>CLIENT</b>	UNIVERSITY OF WARWICK
<b>ARCHITECT</b>	CULLINAN STUDIO
<b>SERVICES</b>	COST MANAGEMENT & QUANTITY SURVEYING
<b>STAKEHOLDERS</b>	JAGUAR LAND ROVER, TATA MOTORS EUROPEAN TECHNICAL CENTRE, WMG AND THE UNIVERSITY OF WARWICK
<b>COMPLETION</b>	2018



# EDUCATION AND RESEARCH

---

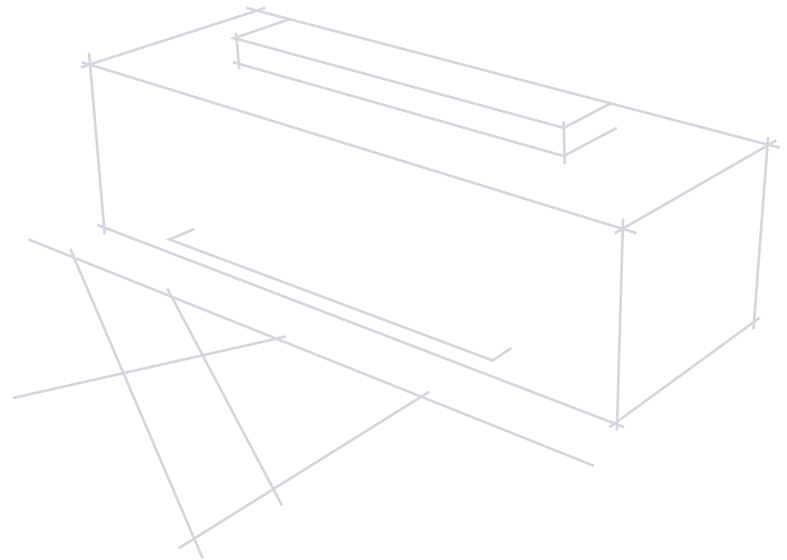
## Oregon State University, Learning Innovation Center

CORVALLIS, NORTH AMERICA

CLIENT/  
ARCHITECT BORA ARCHITECTS

SERVICES COST MANAGEMENT &  
QUANTITY SURVEYING, ADVISORY

COMPLETION 2015







Antarctica New Zealand Pictorial Collection, 2015-16  
Photography - Jenny Ryan ©

---

## Scott Base, Hillary Field Centre



ANTARCTICA

- CLIENT** ANTARCTICA NEW ZEALAND
- ARCHITECT** LABWORKS ARCHITECTURE
- SERVICES** COST MANAGEMENT & QUANTITY SURVEYING
- COMPLETION** 2017





# EDUCATION AND RESEARCH

---

## South Australian Health and Medical Research Institute



ADELAIDE, AUSTRALIA

**CLIENT** SA HEALTH MAJOR  
PROJECTS OFFICE

**ARCHITECT** WOODS BAGOT

**SERVICES** COST MANAGEMENT & QUANTITY  
SURVEYING, ADVISORY

**COMPLETION** 2013

‘Daniel put an extraordinary  
level of dedication into  
finalising project costs.’

AUGUSTA SOTERIOU,  
SOUTH AUSTRALIAN DEPARTMENT OF PLANNING,  
TRANSPORT AND INFRASTRUCTURE, AUSTRALIA








---

## University of Pretoria Engineering Faculty



PRETORIA, SOUTH AFRICA

**CLIENT** UNIVERSITY OF PRETORIA  
**ARCHITECT** ARC ARCHITECTS  
**SERVICES** COST MANAGEMENT &  
 QUANTITY SURVEYING  
**COMPLETION** 2011

---

## Yale-NUS College



SINGAPORE, SINGAPORE

**CLIENT** YALE UNIVERSITY AND NATIONAL  
 UNIVERSITY OF SINGAPORE  
**ARCHITECT** FORUM ARCHITECTS (SINGAPORE)  
 AND PELLI CLARKE PELLI  
 ARCHITECTS (USA)  
**SERVICES** COST MANAGEMENT &  
 QUANTITY SURVEYING  
**COMPLETION** 2015



# ENERGY

At RLB, we have significant experience in delivering consultancy services within the energy sector, with specific focus and expertise in both nuclear new-build and decommissioning works.

Our core services of commercial management, contract management and project controls ensure that we effectively manage value and safety in this challenging sector.

---

## MTN Centurion Switch Phase 2



JOHANNESBURG, SOUTH AFRICA

CLIENT	MTN
ARCHITECT	PROJECTWORKS
SERVICES	COST MANAGEMENT & QUANTITY SURVEYING
COMPLETION	2016

---

## Humboldt Bay Nuclear Power Plant Decommissioning



HUMBOLDT BAY, NORTH AMERICA

SERVICES	ADVISORY
COMPLETION	2013



‘RLB displayed a proactive approach to cooperative relations with us.’

MTN, FAIRLAND, JOHANNESBURG





---

## Olkiluoto 3

OLKILUOTO ISLAND, FINLAND



<b>CLIENT</b>	AREVA, FINLAND
<b>ARCHITECT</b>	SIMON KWAN & ASSOCIATES LIMITED
<b>SERVICES</b>	COST MANAGEMENT & QUANTITY SURVEYING
<b>COMPLETION</b>	2013



# HEALTHCARE

We have assisted in the delivery of a number of hospitals, health centres, and clinics for both the private and public sectors across the world.

RLB's healthcare experts have a clear understanding of the intricacies involved in the delivery and operation of major and complex health projects.

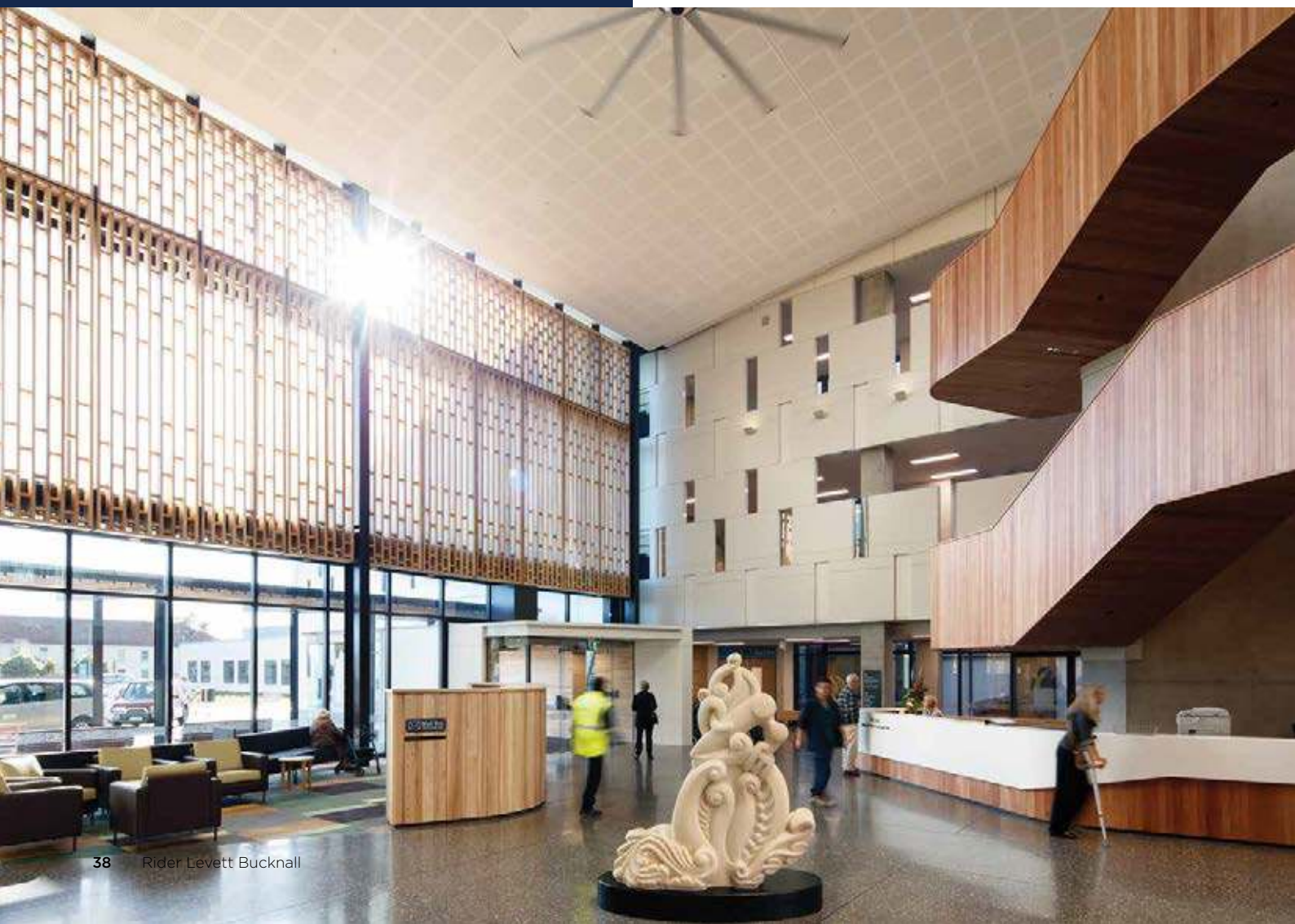
---

## Burwood Hospital Redevelopment

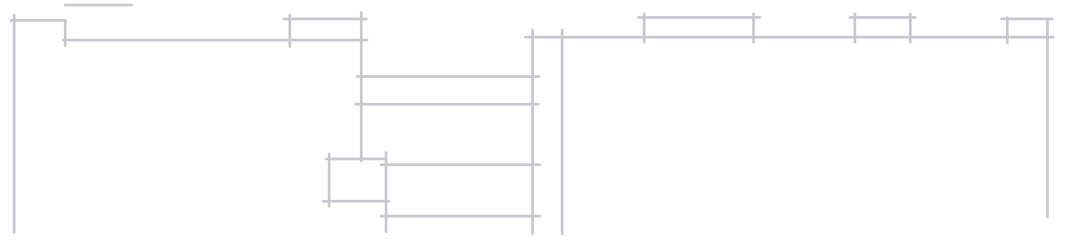


CHRISTCHURCH, NEW ZEALAND

<b>CLIENT</b>	MINISTRY OF HEALTH AND CANTERBURY DISTRICT HEALTH BOARD
<b>ARCHITECT</b>	JASMAX, KLEIN AND SHEPPARD AND ROUT IN ASSOCIATION
<b>SERVICES</b>	COST MANAGEMENT & QUANTITY SURVEYING
<b>COMPLETION</b>	2016







## Hong Kong Children's Hospital

HONG KONG, CHINA

**CLIENT** THE GOVERNMENT OF THE HKSAR  
**ARCHITECT** ARCHITECTURAL SERVICES DEPARTMENT OF THE GOVERNMENT OF THE HKSAR, SIMON KWAN & ASSOCIATES LIMITED  
**SERVICES** COST MANAGEMENT & QUANTITY SURVEYING  
**COMPLETION** 2017



## Job Shimankana Tabane Hospital

RUSTENBURG, SOUTH AFRICA

**CLIENT** DEPARTMENT OF HEALTH - NORTH WEST  
**ARCHITECT** MTM ARCHITECTS  
**SERVICES** COST MANAGEMENT & QUANTITY SURVEYING  
**COMPLETION** 2017

'RLB acted with outstanding professionalism and their services were exemplary in every aspect.'

KOENA PHOKELA,  
 DEPARTMENT OF HEALTH, SOUTH AFRICA



# HEALTHCARE

---

## New Emergency Floor, University Hospitals of Leicester



LEICESTER, UNITED KINGDOM

**CLIENT** UNIVERSITY HOSPITALS OF  
LEICESTER NHS TRUST

**ARCHITECT** CAPITA

**SERVICES** COST MANAGEMENT &  
QUANTITY SURVEYING,  
PROJECT MANAGEMENT

**COMPLETION** 2017



---

## King Fahad Medical City



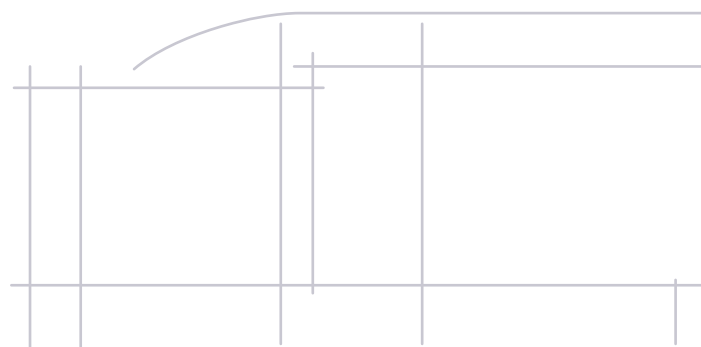
RIYADH, KINGDOM OF SAUDI ARABIA

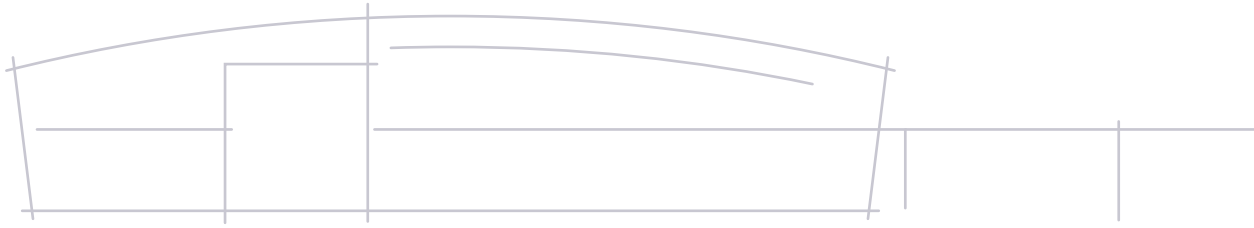
**CLIENT** MINISTRY OF HEALTH

**ARCHITECT** HKS

**SERVICES** COST MANAGEMENT &  
QUANTITY SURVEYING

**COMPLETION** 2016






---

**Samuel Simmonds  
Memorial Hospital,**  
BARROW, NORTH AMERICA



**CLIENT** ARCTIC SLOPE  
NATIVE ASSOCIATION

**ARCHITECT** RIM ARCHITECTS

**SERVICES** COST MANAGEMENT &  
QUANTITY SURVEYING,  
PROJECT MANAGEMENT

**COMPLETION** 2013

---

**Sunshine Coast  
University Hospital**  
SUNSHINE COAST, AUSTRALIA



**CLIENT** QUEENSLAND DEPARTMENT  
OF HEALTH

**ARCHITECT** ARCHITECTUS/RICE DAUBNEY

**SERVICES** COST MANAGEMENT &  
QUANTITY SURVEYING, ADVISORY

**COMPLETION** 2017





## HOTELS AND LEISURE

We support hotel investors, developers, operators and brand managers to develop new hotels and refurbish existing ones.

RLB has provided a full range of project management, cost consulting and advisory services on hospitality developments across the globe. We have the experience to ensure success on large scale, phased developments, as well as intricate improvement programs at operational hotel and resort properties.

---

### Four Seasons Resort O'ahu at Ko Olina



KAPOLEI, NORTH AMERICA

<b>CLIENT</b>	KO OLINA, HAWAII
<b>ARCHITECT</b>	GROUP 70 & DE REUS ARCHITECTS
<b>SERVICES</b>	COST MANAGEMENT & QUANTITY SURVEYING, PROJECT MANAGEMENT
<b>COMPLETION</b>	2016







## Marina Bay Sands Integrated Resort including MICE Facilities & Convention Centre

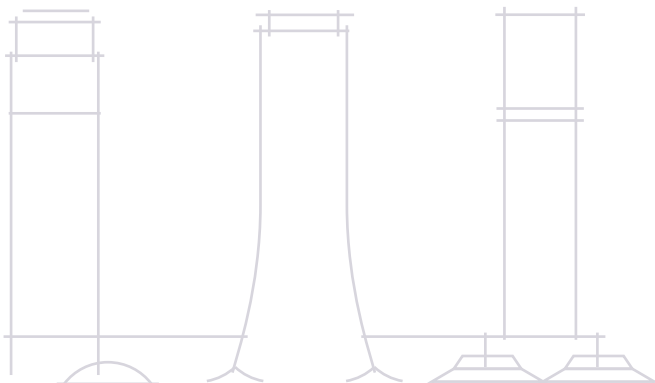
SINGAPORE, SINGAPORE

<b>CLIENT</b>	MARINA BAY SANDS PTE LTD
<b>ARCHITECT</b>	SAFDIE ARCHITECTS
<b>SERVICES</b>	COST MANAGEMENT & QUANTITY SURVEYING
<b>COMPLETION</b>	2010

## Macau Cotai Venetian Parcel 1, 2, 5, 6 Development

MACAU, CHINA

<b>CLIENT</b>	VENETIAN MACAU LIMITED
<b>ARCHITECT</b>	AEDAS
<b>SERVICES</b>	COST MANAGEMENT & QUANTITY SURVEYING
<b>COMPLETION</b>	2016



## HOTELS AND LEISURE

---

### State Building, Como Hotel

PERTH, AUSTRALIA

**CLIENT** FJM PROPERTY  
**ARCHITECT** KERRY HILL ARCHITECTS/  
PALASSIS ARCHITECTS  
**SERVICES** COST MANAGEMENT &  
QUANTITY SURVEYING  
**COMPLETION** 2015

‘RLB’s ongoing efforts and acumen ensured the project progressed with certainty.’

KYLE JEAVONS,  
FJM PROPERTY, PERTH, AUSTRALIA





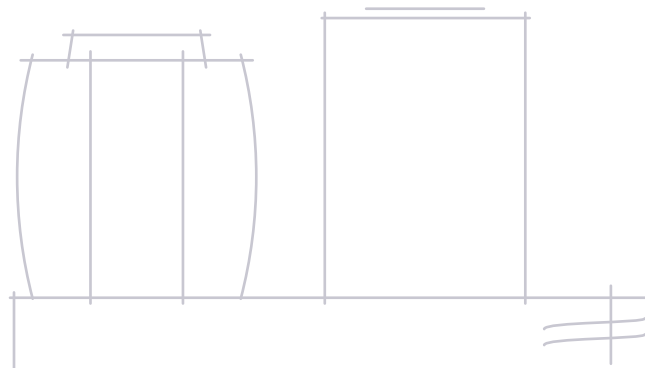


## Rani Torres (Horizon)

MAPUTO, MOZAMBIQUE



CLIENT	RANI
ARCHITECT	DSA ARCHITECTS
SERVICES	COST MANAGEMENT & QUANTITY SURVEYING
COMPLETION	2017



## The Address Residence Fountain Views

DUBAI, UNITED ARAB EMIRATES



CLIENT	EMAAR PROPERTIES
ARCHITECT	DEWAN ARCHITECTS + ENGINEERS.
SERVICES	COST MANAGEMENT & QUANTITY SURVEYING
COMPLETION	2018





# INFRASTRUCTURE

RLB supports the transportation, mining, water and refining sectors across the world.

The firm has provided construction consultancy services to both public and private entities, advising customers on cost and time of infrastructure and resource development projects.

Infrastructure is the backbone of our future economic success, it requires intelligent solutions and innovative implementation techniques. Delivered successfully, not only will we reap the economic gains but it will increase productivity growth, support our growing population, sustain industries, enhance social wellbeing and connect urban and rural environments.

## Auckland City Rail Link



AUCKLAND, NEW ZEALAND

<b>CLIENT</b>	AUCKLAND TRANSPORT/ CITY RAIL LINK LTD
<b>ARCHITECT</b>	AURECON GROUP, IN ASSOCIATION WITH: MOTT MACDONALD, JASMAX ARCHITECTS, GRIMSHAW, ARUP
<b>SERVICES</b>	COST MANAGEMENT & QUANTITY SURVEYING, ADVISORY
<b>COMPLETION</b>	2023/24





---

## Bluewaters

DUBAI, UNITED ARAB EMIRATES



**CLIENT** MERAAS HOLDING/MIRAGE  
LEISURE & DEVELOPMENT

**ARCHITECT** MULTIPLE

**SERVICES** COST MANAGEMENT &  
QUANTITY SURVEYING

**COMPLETION** 2018



---

## iPort Rail

DONCASTER, UNITED KINGDOM



**CLIENT** ROSSINGTON RFF LTD

**ARCHITECT** AJA ARCHITECTS LTD

**SERVICES** COST MANAGEMENT &  
QUANTITY SURVEYING

**COMPLETION** 2017

# INFRASTRUCTURE

---

## Marina Bay Sands District Cooling Plant



SINGAPORE, SINGAPORE

**CLIENT** MARINA BAY SANDS PTE LTD  
**ARCHITECT** SCREEN FAÇADE BY ARTIST NED KAHN  
**SERVICES** COST MANAGEMENT & QUANTITY SURVEYING  
**COMPLETION** 2010

---

## Portland International Jetport

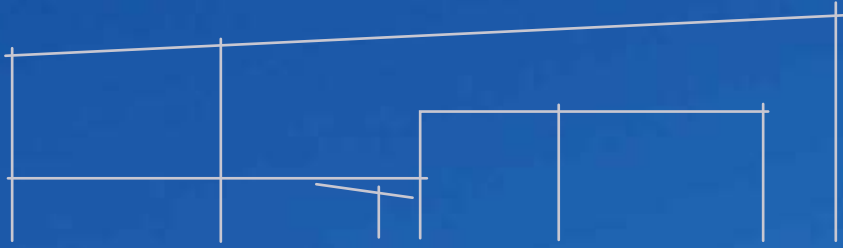


PORTLAND, NORTH AMERICA

**CLIENT** GENSLER  
**SERVICES** COST MANAGEMENT & QUANTITY SURVEYING  
**COMPLETION** 2011









# MIXED USE

RLB has been involved in a significant number of mixed-use developments, encompassing a range of buildings from hotels, residential and retail to office and entertainment.

The firm is accustomed to working on complex mixed-use developments that embody a range of requirements and considerations for each unique building type.

---

## CityCenter

LAS VEGAS, NORTH AMERICA



<b>CLIENT/ ARCHITECT</b>	GENSLER
<b>SERVICES</b>	COST MANAGEMENT & QUANTITY SURVEYING
<b>COMPLETION</b>	2009





‘Given RLB’s early involvement, we were able to move ahead with the confidence required to deliver.’

VICTOR ISTANTO, CBUS PROPERTY, MELBOURNE, AUSTRALIA



Photography - Phillip Vile

---

## Collins Arch, 447 Collins Street MELBOURNE, AUSTRALIA



<b>CLIENT</b>	CBUS PROPERTY
<b>ARCHITECT</b>	WOODS BAGOT/ SHOP ARCHITECTS
<b>SERVICES</b>	COST MANAGEMENT & QUANTITY SURVEYING
<b>COMPLETION</b>	2019

---

## Hallsville Quarter LONDON, UNITED KINGDOM



<b>CLIENT</b>	LINKCITY
<b>ARCHITECT</b>	HAWORTH TOMPKINS LIMITED
<b>SERVICES</b>	COST MANAGEMENT & QUANTITY SURVEYING
<b>COMPLETION</b>	2020

# MIXED USE

---

## Jeddah Tower

JEDDAH, KINGDOM OF SAUDI ARABIA

**CLIENT** CONFIDENTIAL  
**ARCHITECT** ADRIAN SMITH + GORDON GILL  
ARCHITECTURE (AS + GG)  
**SERVICES** ADVISORY  
**COMPLETION** 2019





---

## Marina Bay Sands Integrated Resort including MICE Facilities & Convention Centre

SINGAPORE, SINGAPORE

**CLIENT** MARINA BAY SANDS PTE LTD  
**ARCHITECT** SAFDIE ARCHITECTS  
**SERVICES** COST MANAGEMENT & QUANTITY SURVEYING  
**COMPLETION** 2010



---

## Menlyn Maine Central Square Precinct

PRETORIA, SOUTH AFRICA

**CLIENT** MENLYN MAINE  
**ARCHITECT** BOOGERTMAN & PARTNERS  
**SERVICES** COST MANAGEMENT & QUANTITY SURVEYING  
**COMPLETION** 2016



MIXED USE





---

## Shanghai Tower

SHANGHAI, CHINA



**CLIENT** SHANGHAI TOWER CONSTRUCTION AND DEVELOPMENT COMPANY LIMITED

**ARCHITECT** GENSLER

**SERVICES** COST MANAGEMENT & QUANTITY SURVEYING

**COMPLETION** 2016



---

## Msheireb Downtown Doha

DOHA, QATAR

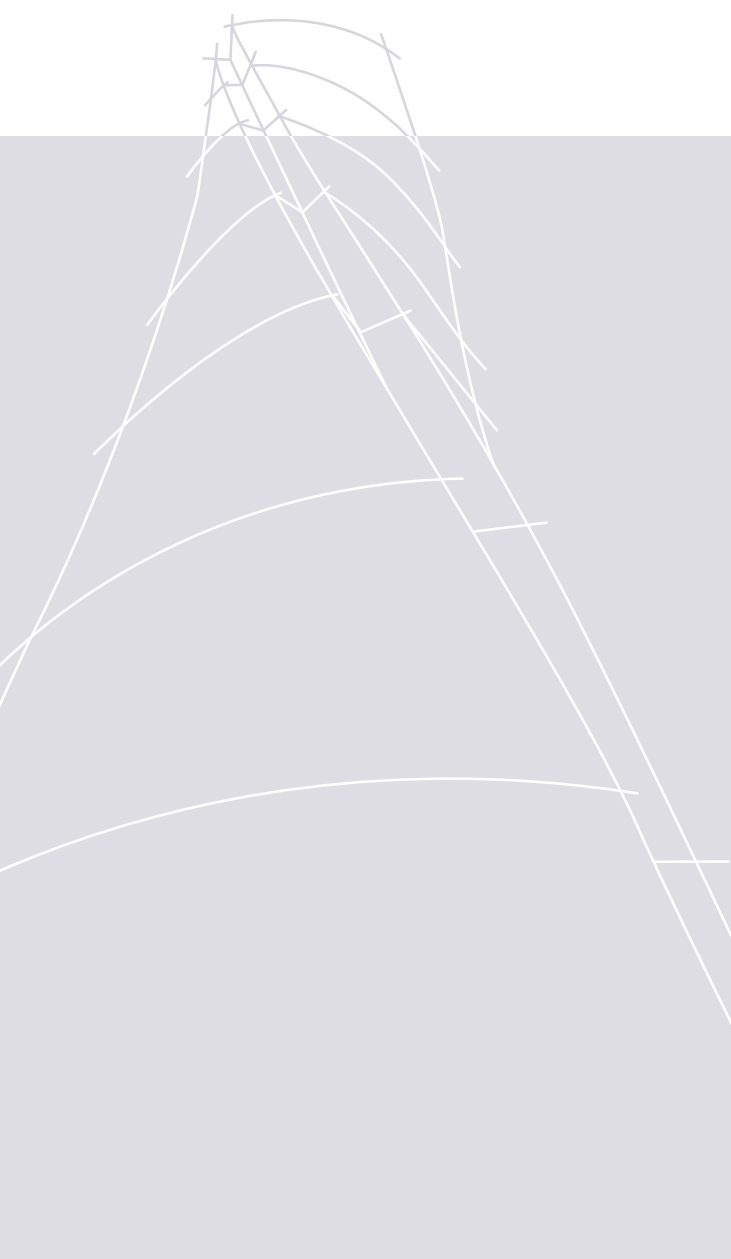


**CLIENT** MSHEIREB PROPERTIES

**ARCHITECT** MULTIPLE

**SERVICES** COST MANAGEMENT & QUANTITY SURVEYING

**COMPLETION** 2019



# OFFICES

RLB works closely with developers, investors and building owners to deliver new-build, refurbishment, office fit-out and mixed-use projects.

Our customers in this sector have included leading developers, portfolio holders and occupiers.

We deliver services for everything from one-off developments, to asset management strategies for national and international property portfolios.

Our focus is on the key business drivers for our customers. We have helped customers develop high quality buildings to ensure successful financial returns for investors as well as assisted in delivering excellent office space, which attracts occupiers and operates effectively throughout the asset's lifetime.

---

## ASIO HQ Offices, Ben Chifley Building



CANBERRA, AUSTRALIA

<b>CLIENT</b>	DEPARTMENT OF FINANCE
<b>ARCHITECT</b>	FRANCIS-JONES MOREHEN THORP (FJMT)
<b>SERVICES</b>	COST MANAGEMENT & QUANTITY SURVEYING
<b>COMPLETION</b>	2015







## Brookfield Place Towers 1 & 2

PERTH, AUSTRALIA

CLIENT	BROOKFIELD OFFICE PROPERTIES
ARCHITECT	HASELL
SERVICES	COST MANAGEMENT & QUANTITY SURVEYING
COMPLETION	2012

## d3 Creative Community

DUBAI, UNITED ARAB EMIRATES

CLIENT	TECOM INVESTMENTS
ARCHITECT	FOSTER + PARTNERS
SERVICES	COST MANAGEMENT & QUANTITY SURVEYING
COMPLETION	2018



## OFFICES

---

### Discovery Head Office

SANDTON, SOUTH AFRICA

<b>CLIENT</b>	GROWTHPOINT PROPERTIES AND ZENPROP
<b>ARCHITECT</b>	BOOGERTMAN & PARTNERS
<b>SERVICES</b>	COST MANAGEMENT & QUANTITY SURVEYING
<b>COMPLETION</b>	2017



'The challenges during the project were always handled with due care and delivery was achieved on all fronts.'

PIETER VAN WYK,  
ZENPROP PROPERTY HOLDINGS, SOUTH AFRICA



---

### Ping An Finance Centre

SHENZHEN, CHINA

<b>CLIENT</b>	PING AN INSURANCE GROUP
<b>ARCHITECT</b>	KOHN PEDERSEN FOX ASSOCIATES
<b>SERVICES</b>	COST MANAGEMENT & QUANTITY SURVEYING
<b>COMPLETION</b>	2016





---

## PS100/Oasia Downtown

SINGAPORE, SINGAPORE



**CLIENT** FAR EAST ORGANISATION  
**ARCHITECT** WOHA  
**SERVICES** COST MANAGEMENT &  
QUANTITY SURVEYING  
**COMPLETION** 2016



---

## Snowhill

BIRMINGHAM, UNITED KINGDOM



**CLIENT** CONFIDENTIAL  
**ARCHITECT** ONE SNOWHILL: KPMP- MCM ARCHITECTS  
TWO SNOWHILL: WRAGGE LAWRENCE & CO-GENSLER ARCHITECTS  
**SERVICES** COST MANAGEMENT &  
QUANTITY SURVEYING  
**COMPLETION** 2013

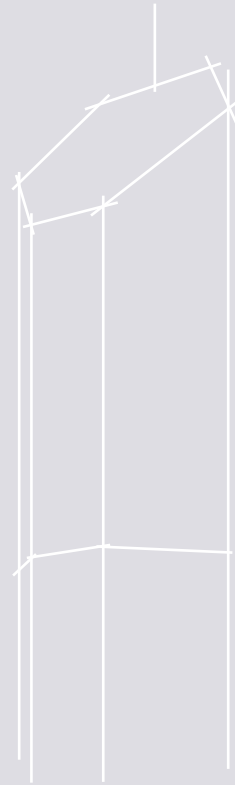
# OFFICES

---

## Tower at PNC Plaza

BOSTON, NORTH AMERICA

**CLIENT/  
ARCHITECT** GENSLER  
**SERVICES** COST MANAGEMENT &  
QUANTITY SURVEYING  
**COMPLETION** 2015



---

## 1 William Street

BRISBANE, AUSTRALIA

**CLIENT** PROJECTS QUEENSLAND  
**ARCHITECT** WOODS BAGOT  
**SERVICES** COST MANAGEMENT &  
QUANTITY SURVEYING  
**COMPLETION** 2017









## PUBLIC AND CIVIC

Having worked with numerous governments and other stakeholders of major public and civic projects, RLB has a clear understanding of the processes, regulations and requirements to ensure project success.

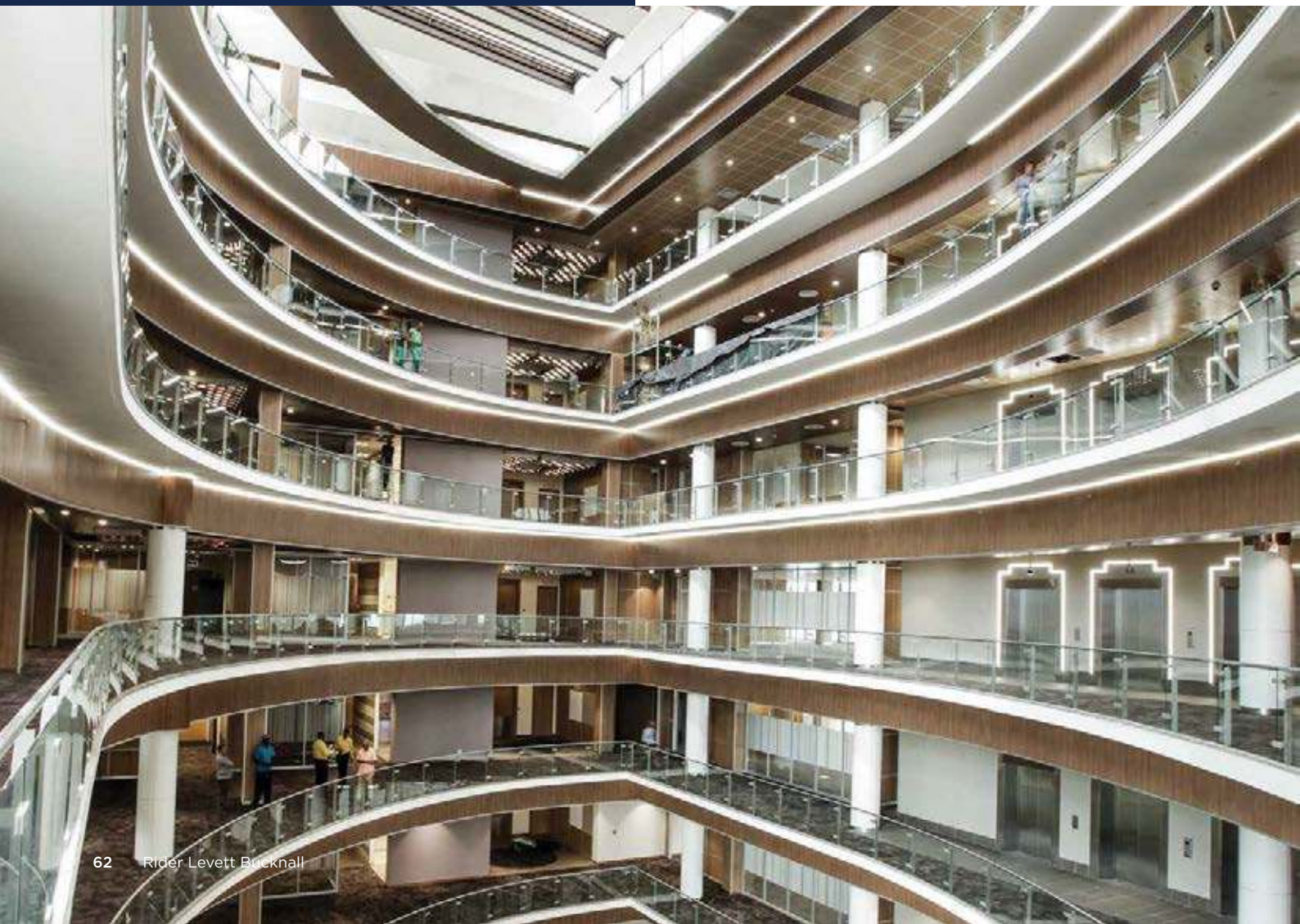
---

### Agrivaal

PRETORIA, SOUTH AFRICA



<b>CLIENT</b>	DEPARTMENT OF PUBLIC WORKS
<b>ARCHITECT</b>	PKA INTERNATIONAL ARCHITECTS
<b>SERVICES</b>	COST MANAGEMENT & QUANTITY SURVEYING
<b>COMPLETION</b>	2016





---

## Edith Green Wendell Wyatt Federal Building



PORTLAND, NORTH AMERICA

**CLIENT/  
ARCHITECT** SERA ARCHITECTS INC.  
**SERVICES** COST MANAGEMENT &  
QUANTITY SURVEYING  
**COMPLETION** 2013



---

## Len Lye Centre & Govett-Brewster Art Gallery



NEW PLYMOUTH, NEW ZEALAND

**CLIENT** NEW PLYMOUTH  
DISTRICT COUNCIL  
**ARCHITECT** PATTERSON ASSOCIATES  
**SERVICES** COST MANAGEMENT &  
QUANTITY SURVEYING  
**COMPLETION** 2015

‘I found RLB’s personnel to be proactive, entrepreneurial and committed to creating long-term value.’

**GAYE BATTY,  
NEW PLYMOUTH DISTRICT COUNCIL,  
NEW ZEALAND**

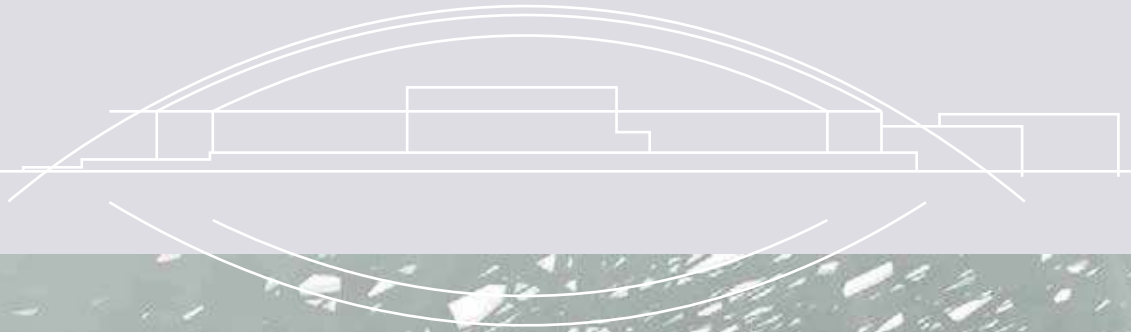
# PUBLIC AND CIVIC

---

## Louvre Abu Dhabi

ABU DHABI, UNITED ARAB EMIRATES

**CLIENT** TOURISM DEVELOPMENT & INVESTMENT COMPANY (TDIC),  
**ARCHITECT** JEAN NOUVEL  
**SERVICES** COST MANAGEMENT & QUANTITY SURVEYING  
**COMPLETION** 2017







---

## Museum of Old and New Art

HOBART, AUSTRALIA

<b>CLIENT</b>	MUSEUM OF NEW AND OLD ART
<b>ARCHITECT</b>	FENDER KATSALIDIS ARCHITECTS
<b>SERVICES</b>	COST MANAGEMENT & QUANTITY SURVEYING
<b>COMPLETION</b>	2011



# PUBLIC AND CIVIC

---

## Sir John Monash Centre

VILLERS-BRETONNEUX, FRANCE

**CLIENT** DEPARTMENT OF  
VETERANS' AFFAIRS

**ARCHITECT** COX ARCHITECTURE

**SERVICES** COST MANAGEMENT &  
QUANTITY SURVEYING

**COMPLETION** 2018





---

## The Look Out Hyde Park Project

LONDON, UNITED KINGDOM

**CLIENT** THE ROYAL PARKS  
**ARCHITECT** DAVID MORLEY ARCHITECTS  
**SERVICES** COST MANAGEMENT &  
QUANTITY SURVEYING,  
PROJECT MANAGEMENT  
**COMPLETION** 2011



---

## Xiqu Centre, West Kowloon Cultural District

HONG KONG, CHINA

**CLIENT** WEST KOWLOON CULTURAL  
DISTRICT AUTHORITY  
**ARCHITECT** BING THOM ARCHITECTS,  
AND RONALD LU & PARTNERS  
COMPANY LIMITED  
**SERVICES** COST MANAGEMENT &  
QUANTITY SURVEYING  
**COMPLETION** 2018



# RESIDENTIAL

RLB has worked on a range of residential projects from single-family homes to the tallest residential towers in the world.

Our breadth of experience also captures social housing, regeneration and residential led mixed-use developments.

---

## Burlingame Ranch



ASPEN, NORTH AMERICA

<b>CLIENT</b>	CITY OF ASPEN
<b>ARCHITECT</b>	OZ ARCHITECTURE
<b>SERVICES</b>	COST MANAGEMENT & QUANTITY SURVEYING, PROJECT MANAGEMENT
<b>COMPLETION</b>	2015





---

## Clyde Quay Wharf

WELLINGTON, NEW ZEALAND



**CLIENT** WILLIS BOND  
**ARCHITECT** ATHFIELD ARCHITECTS  
**SERVICES** COST MANAGEMENT &  
QUANTITY SURVEYING  
**COMPLETION** 2014



---

## Lusail City

DOHAR, QATAR



**CLIENT** LUSAIL REAL ESTATE  
DEVELOPMENT COMPANY (LREDC)  
**ARCHITECT** MULTIPLE  
**SERVICES** COST MANAGEMENT &  
QUANTITY SURVEYING  
**COMPLETION** 2022




# RESIDENTIAL

---

## Opus

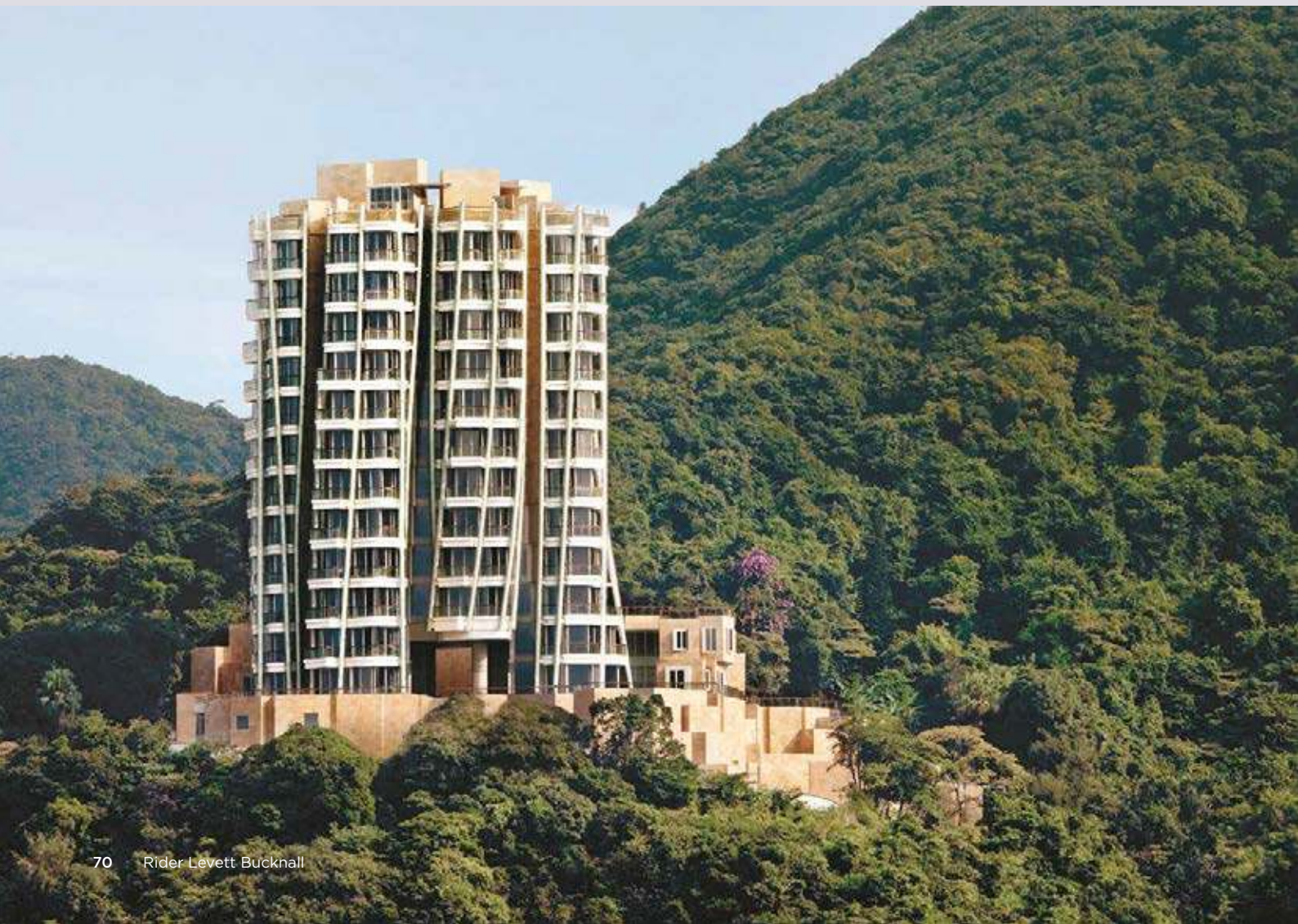
HONG KONG, CHINA

**CLIENT** SWIRE PROPERTIES  
**ARCHITECT** GEHRY PARTNERS  
**SERVICES** COST MANAGEMENT &  
QUANTITY SURVEYING  
**COMPLETION** 2012



‘RLB always carried out their duties in a highly competent manner.’

**ROBERT LEVETT,  
SWIRE PROPERTIES LIMITED,  
HONG KONG, CHINA**





---

## Rani Torres (Horizon)

MAPUTO, MOZAMBIQUE



**CLIENT** RANI  
**ARCHITECT** DSA ARCHITECTS  
**SERVICES** COST MANAGEMENT &  
QUANTITY SURVEYING  
**COMPLETION** 2016



Photography - ©Tim Crocker

---

## Rathone Market Regeneration

LONDON, UNITED KINGDOM



**CLIENT** ENGLISH CITIES FUND  
**ARCHITECT** CZWG ARCHITECTS LLP  
**SERVICES** COST MANAGEMENT &  
QUANTITY SURVEYING  
**COMPLETION** 2017

# RESIDENTIAL

---

## The Address Residence Fountain Views



DUBAI, UNITED ARAB EMIRATES

**CLIENT** EMAAR PROPERTIES  
**ARCHITECT** DEWAN ARCHITECTS + ENGINEERS.  
**SERVICES** COST MANAGEMENT & QUANTITY SURVEYING  
**COMPLETION** 2018

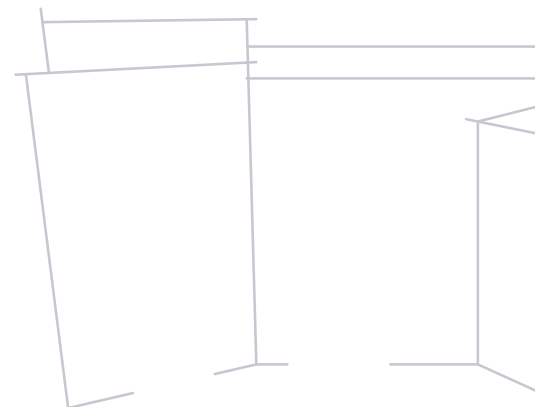
---

## Trilogy Towers



PRETORIA, SOUTH AFRICA

**CLIENT** MENLYN MAINE  
**ARCHITECT** GLH ARCHITECTS  
**SERVICES** COST MANAGEMENT & QUANTITY SURVEYING  
**COMPLETION** 2019









# RETAIL

We understand that our customers' priority and concern is providing maximum returns and value from their retail developments.

In order to achieve this, projects must be delivered in a fast, economical, tax efficient manner and to a predetermined quality. RLB, having worked with some of the world's major developers and retailers, has the experience to help achieve this.

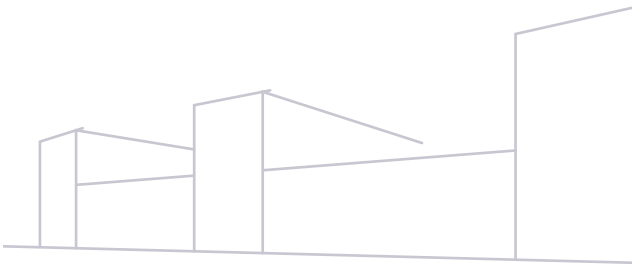
---

## Deira Island Mall



DUBAI, UNITED ARAB EMIRATES

<b>CLIENT</b>	NAKHEEL PROPERTIES
<b>ARCHITECT</b>	RSP ARCHITECTS PLANNERS AND ENGINEERS
<b>SERVICES</b>	COST MANAGEMENT & QUANTITY SURVEYING
<b>COMPLETION</b>	2020





---

## Menlyn Maine Central Square

PRETORIA, SOUTH AFRICA



**CLIENT** MENLYN MAINE  
**ARCHITECT** BOOGERTMAN & PARTNERS  
**SERVICES** COST MANAGEMENT &  
QUANTITY SURVEYING  
**COMPLETION** 2016



---

## Riverside 66

TIANJIN, CHINA



**CLIENT** HANG LUNG (TIANJIN) LIMITED  
**ARCHITECT** KOHN PENDERSON FOX  
ASSOCIATES PC (DESIGN  
ARCHITECT), P&T ARCHITECTS &  
ENGINEERS LIMITED (ARCHITECT)  
**SERVICES** COST MANAGEMENT &  
QUANTITY SURVEYING  
**COMPLETION** 2014

‘Throughout the project  
RLB’s commitment has been  
commendable and diligent.’

SABRINA LAW,  
TIANJIN HANG LUNG PROPERTIES,  
TIANJIN, CHINA

# RETAIL

---

## The Crossing

CHRISTCHURCH, NEW ZEALAND

**CLIENT** AB INVESTMENTS LTD  
**ARCHITECT** WILSON & HILL  
**SERVICES** COST MANAGEMENT & QUANTITY SURVEYING  
**COMPLETION** 2017



---

## Transforming Tesco

UNITED KINGDOM

**CLIENT** TESCO PLC  
**ARCHITECT** TESCO PLC  
**SERVICES** COST MANAGEMENT & QUANTITY SURVEYING, PROJECT MANAGEMENT  
**COMPLETION** 2017







---

## Westfield University Town Center



LA JOLLA, NORTH AMERICA

<b>CLIENT</b>	WESTFIELD
<b>SERVICES</b>	COST MANAGEMENT & QUANTITY SURVEYING
<b>COMPLETION</b>	2012





# SPORT

RLB has provided cost management services on the delivery of some of the world's most prestigious stadiums, arenas and major sporting events.

RLB's sports team understands the varying delivery requirements for this sector and is adept at delivering on time and on budget. Our involvement and experience on both permanent and temporary event facilities, enables us to help our customers deliver the most efficient and cost effective sports projects.

## Atlanta Falcons NFL Stadium



ATLANTA, NORTH AMERICA

CLIENT	ICON VENUE GROUP
ARCHITECT	HOK
SERVICES	COST MANAGEMENT & QUANTITY SURVEYING
COMPLETION	2017







---

## Adelaide Oval Redevelopment



ADELAIDE, AUSTRALIA

**CLIENT** ADELAIDE OVAL STADIUM  
MANAGEMENT AUTHORITY

**ARCHITECT** COX ARCHITECTS/WALTER  
BROOKE/HAMES SHARLEY

**SERVICES** COST MANAGEMENT &  
QUANTITY SURVEYING, ADVISORY

**COMPLETION** 2014

---

## King Abdullah Sports City



JEDDAH, KINGDOM OF SAUDI ARABIA

**CLIENT** SAUDI ARAMCO

**ARCHITECT** POPULOUS ARCHITECTS

**SERVICES** COST MANAGEMENT &  
QUANTITY SURVEYING

**COMPLETION** 2014





# SPORT

---

## London 2012 Olympic and Paralympic Games

LONDON, UNITED KINGDOM

<b>CLIENT</b>	THE LONDON ORGANISING COMMITTEE FOR THE OLYMPIC AND PARALYMPIC GAMES
<b>ARCHITECT</b>	TEAM POPULOUS
<b>PROJECT MANAGER</b>	EVENT PLANNING GROUP
<b>SERVICES</b>	COST MANAGEMENT & QUANTITY SURVEYING, PROJECT MANAGEMENT, HEALTH & SAFETY
<b>COMPLETION</b>	2012



‘We are tremendously grateful for your support which contributed to the success of the London 2012 Olympic Games and Paralympic Games.’

**SEBASTIAN COE, KBE,  
LONDON ORGANISING COMMITTEE,  
LONDON, UNITED KINGDOM**







## Olympic Equestrian Venues 2008

HONG KONG, CHINA

<b>CLIENT</b>	THE HONG KONG JOCKEY CLUB
<b>ARCHITECT</b>	TIM COURT & COMPANY (CONCEPT ARCHITECT), AND RONALD LU & PARTNERS
<b>SERVICES</b>	COST MANAGEMENT & QUANTITY SURVEYING
<b>COMPLETION</b>	2008

## Singapore Sports Hub

SINGAPORE, SINGAPORE

<b>CLIENT</b>	SPORT SINGAPORE AND SPORTS HUB PTE LTD (PPP)
<b>ARCHITECT</b>	ARUP SPORT (SPORTS VENUES), DP ARCHITECTS (NON-SPORT VENUES, QP), AECOM (LANDSCAPE)
<b>SERVICES</b>	COST MANAGEMENT & QUANTITY SURVEYING, PROJECT MANAGEMENT
<b>COMPLETION</b>	2014









The projects represented here are testament to the many partnerships and friendships that have been central to our success.

In 2017, as we consider the projects RLB is presently involved in, we look forward to the strengthening of these relationships.







As we bring new projects to life, we will continue to contribute to the future direction of major cities across the globe over the next decade. RLB takes great pride in being associated with all of these projects.



